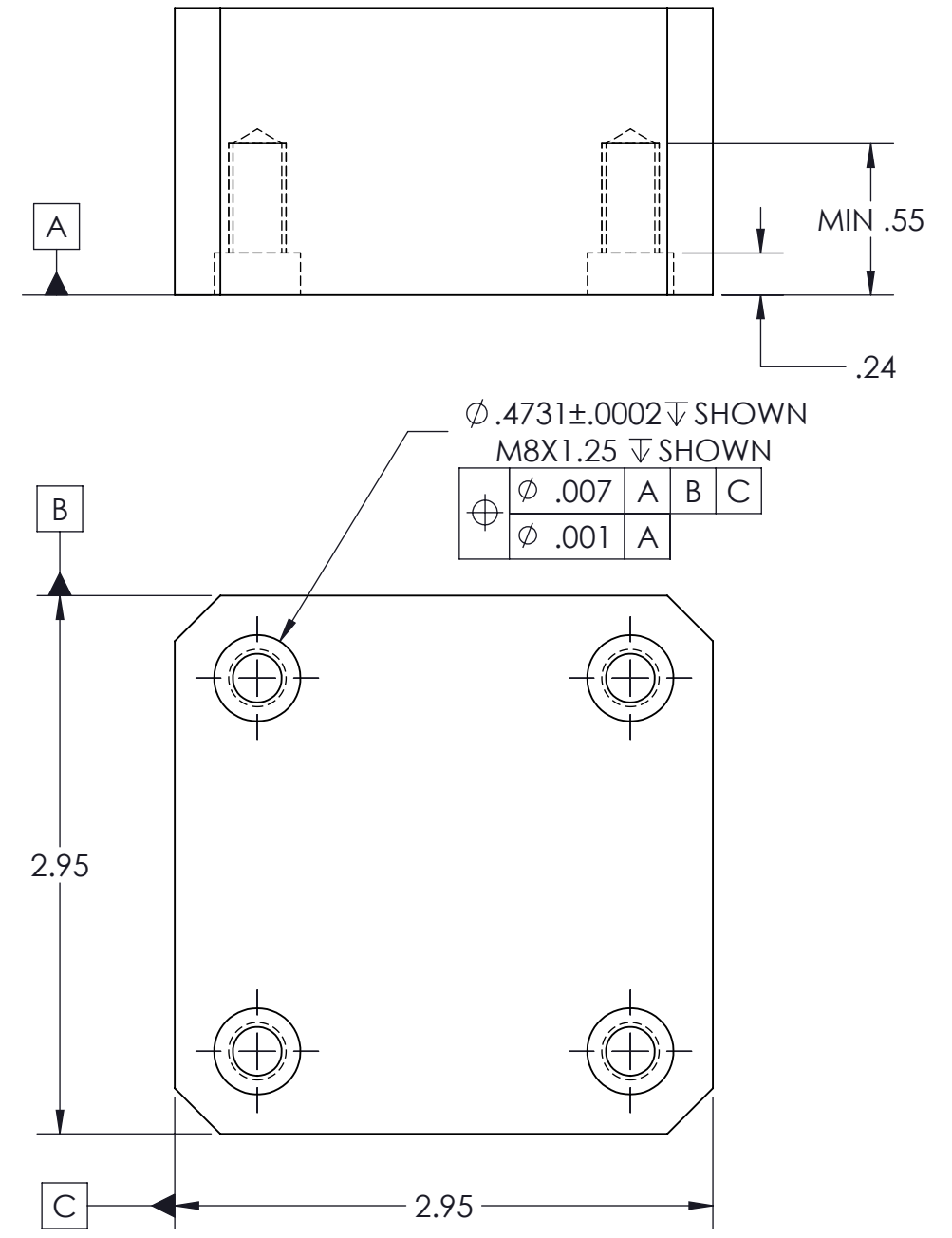
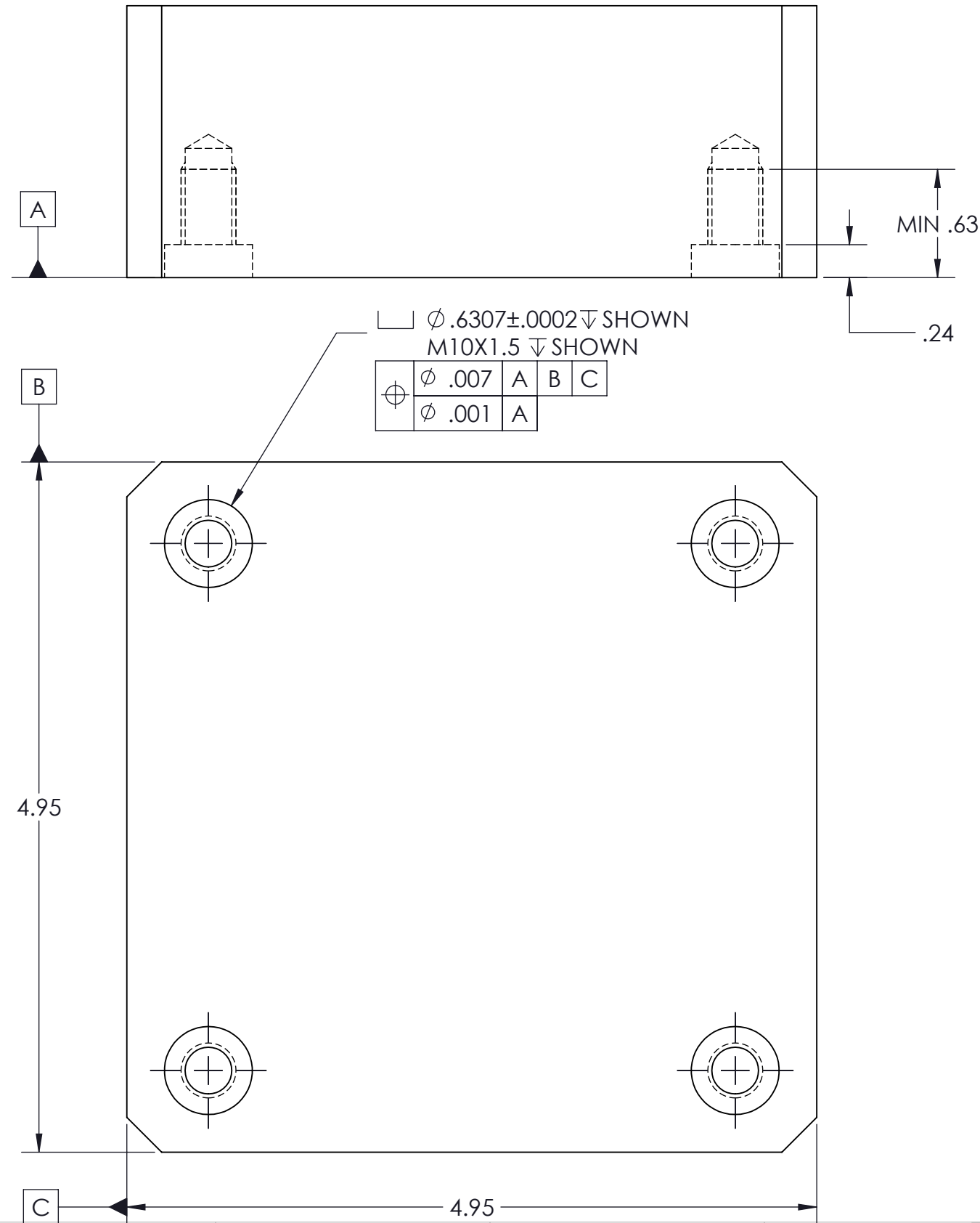


PS20F

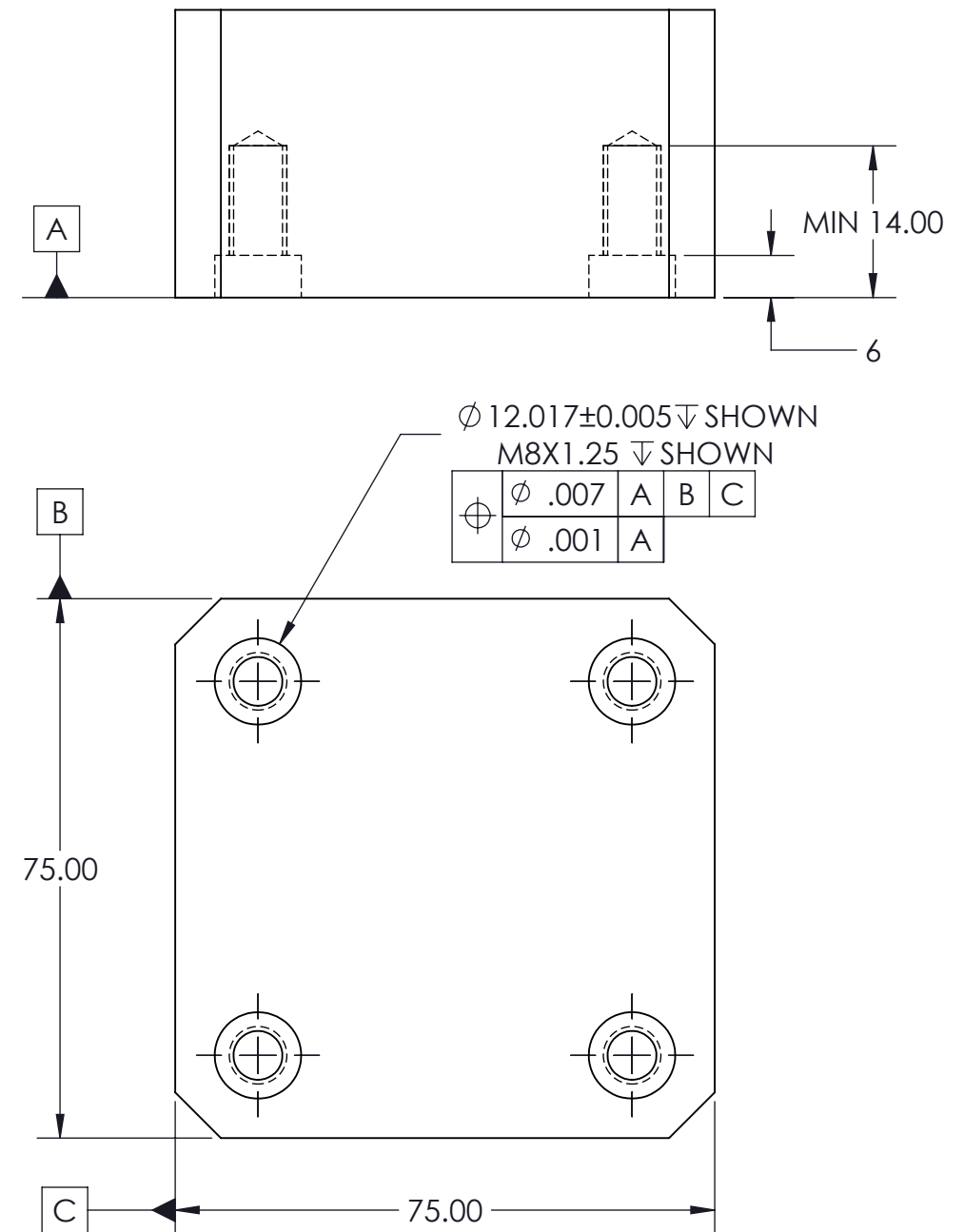
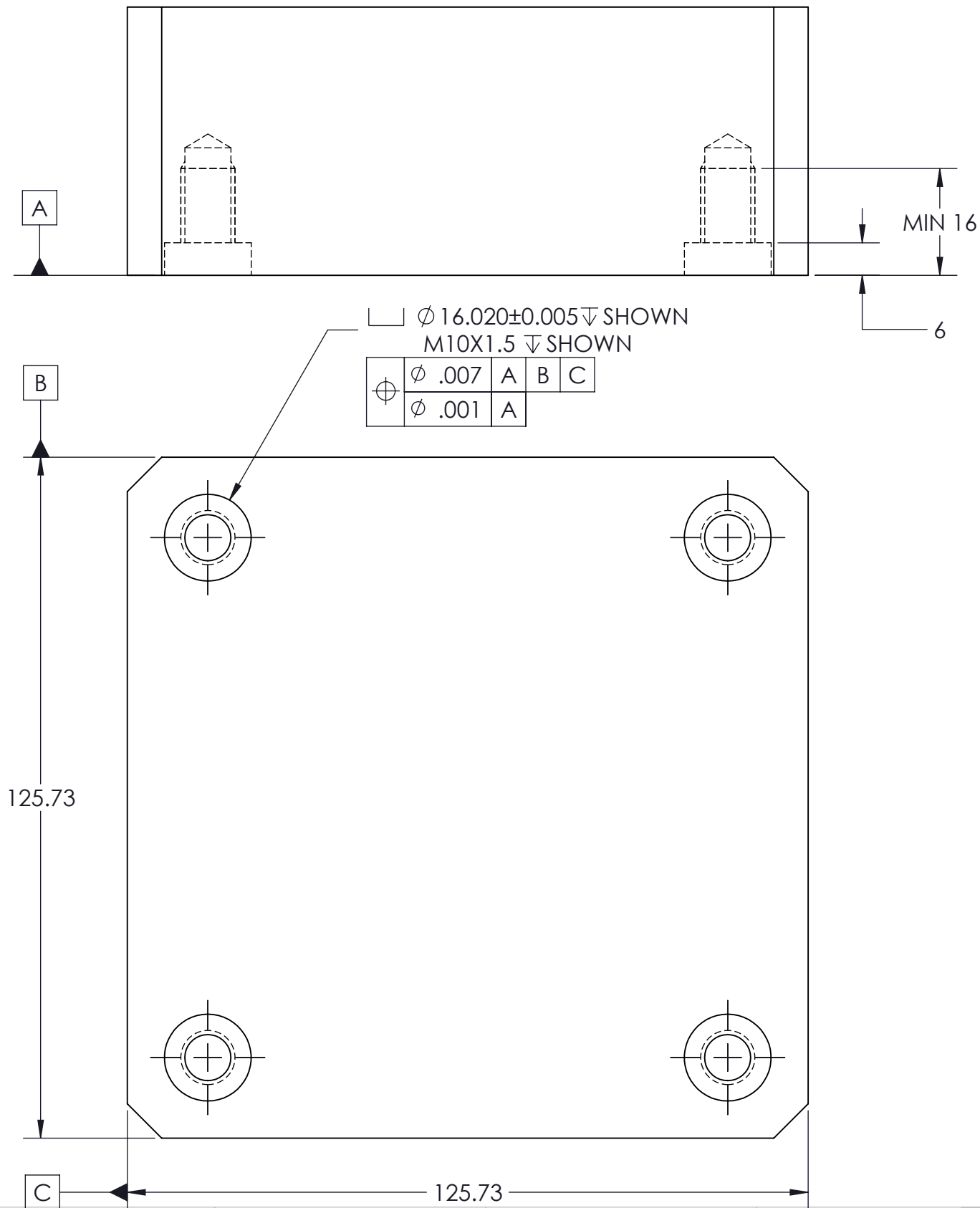
PS16F



INCH <small>DRAWN IN ACCORDANCE WITH ASME Y14.5-2009</small> PROPRIETARY AND CONFIDENTIAL <small>THE INFORMATION CONTAINED IN THIS DRAWING IS THE SOLE PROPERTY OF FIFTH AXIS, INC. ANY REPRODUCTION IN PART OR AS A WHOLE WITHOUT THE WRITTEN PERMISSION OF FIFTH AXIS, INC. IS PROHIBITED.</small>	TOLERANCES <small>UNLESS OTHERWISE SPECIFIED</small> DECIMAL: X ± 0.05, XX ± 0.01, XXX ± 0.005 ANGLE: X ± 1°, X ± 0.5° SURFACE FINISH: ∇ THRID ANGLE PROJECTION:	APPROVALS DRAWN BY: Y. RHEE MANUFACTURING: 12/22/20 QUALITY: FINAL:	 <small>WWW.FIFTHAXIS.COM 7140 ENGINEER ROAD SAN DIEGO, CA 92111 P (858) 505-0432 F (858) 505-9344</small> DESCRIPTION PS16F/PS20F HOLE CALLOUT FOR CUSTOM TOOLING SIZE: B PART NO.: PULL STUD HOLE PREP <small>DO NOT SCALE DRAWING SCALE 1:1 WEIGHT: SHEET 1 OF 1</small>
	<small>REV</small> A		

PS20F

PS16F



MILLIMETER <small>DRAWN IN ACCORDANCE WITH ASME Y14.5-2009</small> PROPRIETARY AND CONFIDENTIAL <small>THE INFORMATION CONTAINED IN THIS DRAWING IS THE SOLE PROPERTY OF FIFTH AXIS, INC. ANY REPRODUCTION IN PART OR AS A WHOLE WITHOUT THE WRITTEN PERMISSION OF FIFTH AXIS, INC. IS PROHIBITED.</small>	TOLERANCES <small>UNLESS OTHERWISE SPECIFIED</small> DECIMAL: X ± 0.05, XX ± 0.01, XXX ± 0.005 ANGLE: X ± 1°, X ± 0.5° SURFACE FINISH: ∇ THRID ANGLE PROJECTION:	APPROVALS DRAWN BY: Y. RHEE MANUFACTURING: 12/22/20 QUALITY: FINAL:	 <small>WWW.FIFTHAXIS.COM 7140 ENGINEER ROAD SAN DIEGO, CA 92111 P (858) 505-0432 F (858) 505-9344</small>
	DESCRIPTION: PS16F/PS20F HOLE CALLOUT FOR CUSTOM TOOLING SIZE: B PART NO.: PULL STUD HOLE PREP <small>DO NOT SCALE DRAWING SCALE 1:1 WEIGHT: SHEET 1 OF 1</small>		REV: A